

Store space is limited . . . Make the Most of It!

Snack Food Hand Truck

Model #1862



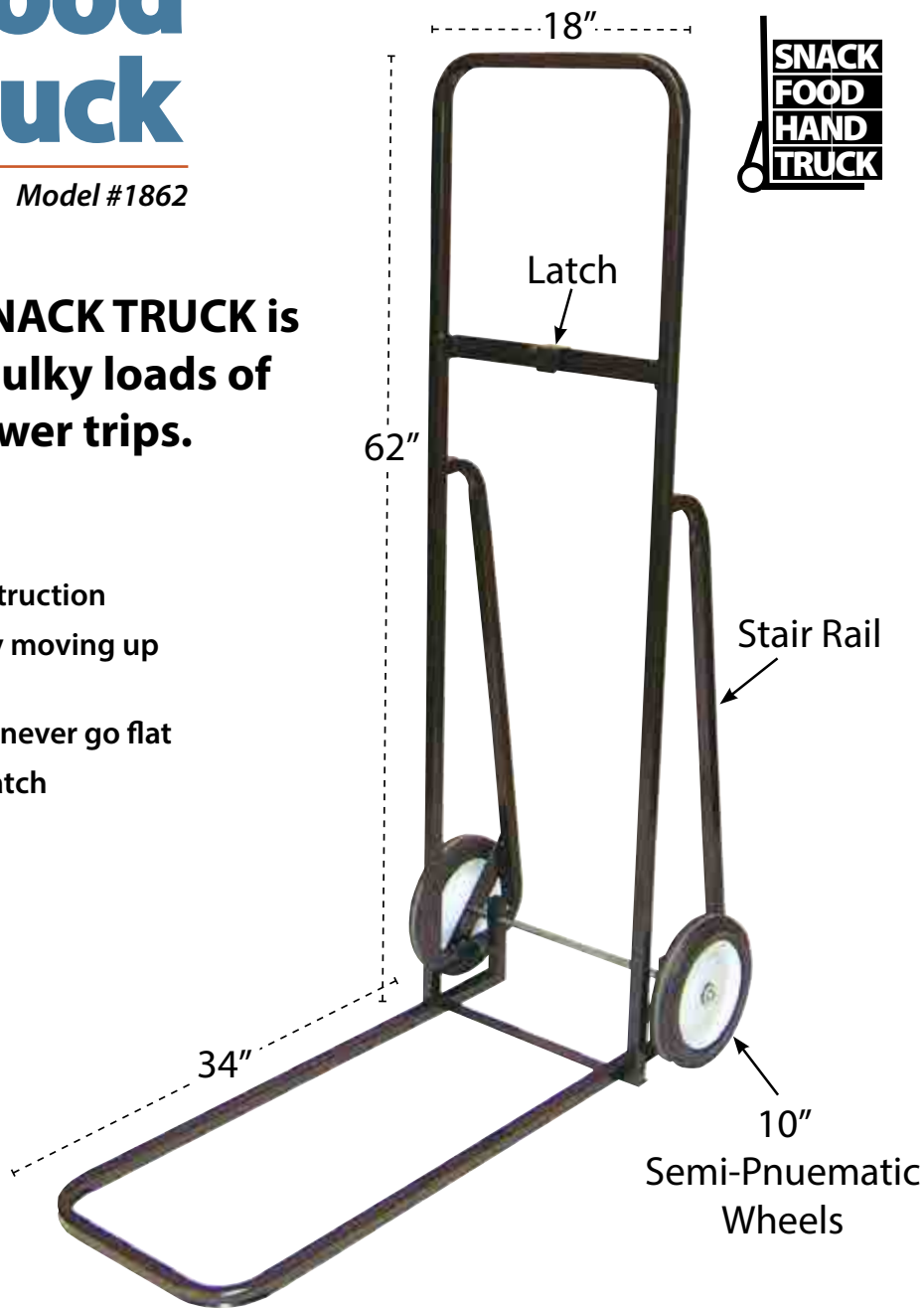
Our user-friendly SNACK TRUCK is designed to move bulky loads of snack boxes with fewer trips.

Quality Features:

- Long lasting, welded construction
- Stair Climber Rails for easy moving up curbs and stairs
- 10" smooth-riding wheels never go flat
- Folding Carrier Bar with Latch
- Powder Coated Black



Snack Food Hand Truck loaded with 8 boxes



Retail Display Solutions

T. 800-263-1338
mail@bordertownwire.com



BORDERTOWN WIRE PRODUCTS

Store space is limited . . . Make the Most of It!

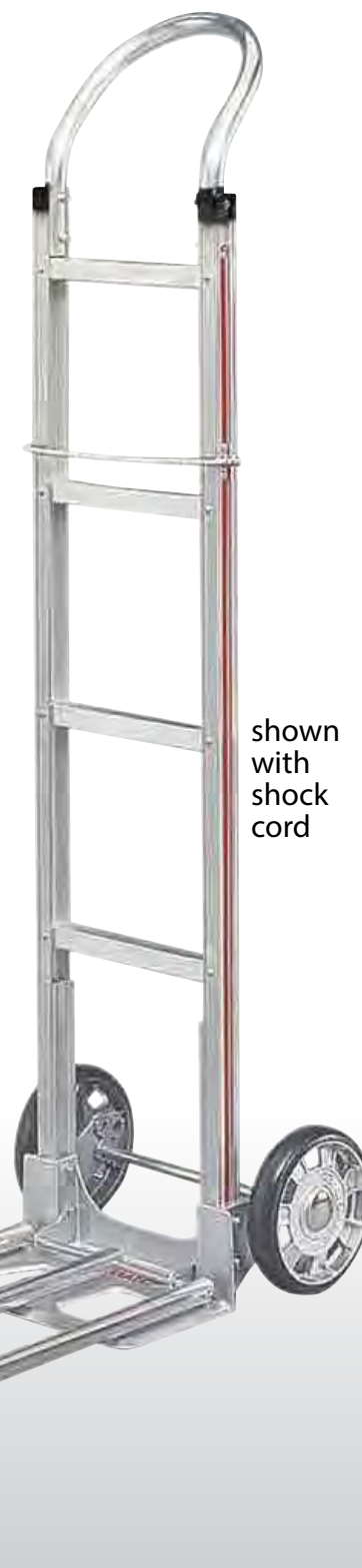
Aluminum Snack Food Truck

Model #SFT811

**Lightweight, easy-to-use
Aluminum Construction**

Move bulky loads with fewer trips!

Overall width: 17"
Overall height: 61½"
Weight: 28 lbs.
Capacity (with nose extended) 80 lbs.
Capacity (with nose folded) 500 lbs.



shown
with
shock
cord



Retail Display **Solutions**

T. 800-263-1338
mail@bordertownwire.com



BORDERTOWN WIRE PRODUCTS

Customize Your Aluminum Snack Food Truck with Our Wide Range of Options.

Handles

#11-301000



Ergonomically designed for comfort and easy operation

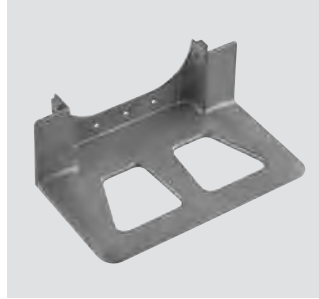
#12-30100



U-Brace for extra load support

Noses

#AM300200



Die-cast Magnesium
14" wide x 7½" deep

#HM300197



Die-cast Magnesium
14" wide x 12" deep

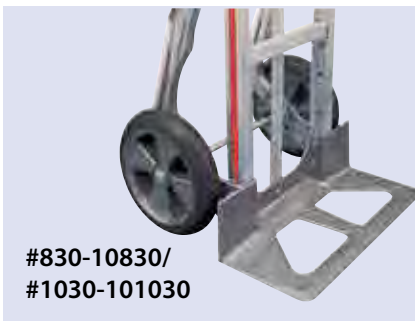
Wheels

#815-10815



8" mold-on rubber on die-cast magnesium hub with double-groove ball bearings. Hard puncture resistant rubber works well on smooth surfaces

#830-10830/
#1030-101030



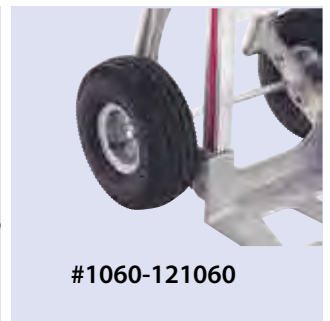
8" or 10" puncture resistant, shock absorbing, non-marking balloon cushion tires

#1010-131010



10" puncture resistant foam tire with semi-precision bearings. Never goes flat! Performs like pneumatic tire, but doesn't require air!

#1060-121060

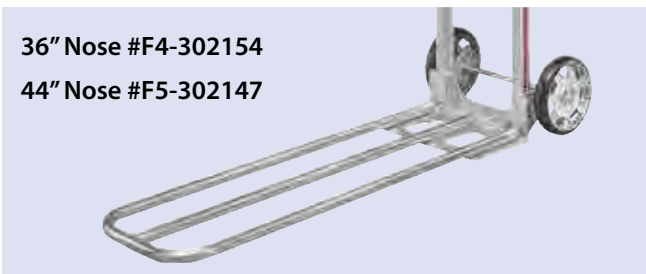


10" pneumatic tube-tire, 4-ply rated. Sealed semi-precision bearings and corrosion-resistant hub. Excellent shock absorption.

Nose Extensions

36" Nose #F4-302154

44" Nose #F5-302147



Stair Climbers

#C5-86006



Cast magnesium slides with replaceable low-friction polymer skid bars. Tough and quiet.