

Counter-Top Display Racks

4-Shelf Flatrack™ Display

- This innovative rack design assembles easily without tools or fasteners while providing a strong, free-standing rack to display your product
- The 4-shelf Bakery Display is shown on top of the small box that it packs in
- The attached price channel on each shelf holds your latest promotional advertising or pricing. Includes angled shelves for gravity feed of your product
- Powder coated finish in the color of your choice - match your rack color with your packaging colors for added visual effect



The Flat rack™ is a new concept in counter-top displays

3-Tier Counter Top Display

- Custom designed to exact product specifications
- Angled shelves for gravity feed



3-shelf muffin display shown above fully loaded in a convenience store



Let us design a Flat rack™ for your product that saves you shipping and storage costs!



Counter-Top Wire Display Racks

This flexible Display Rack makes it easy to get valuable counter space!

Width is available in 4 sizes

18", 24", 30", or 36" wide

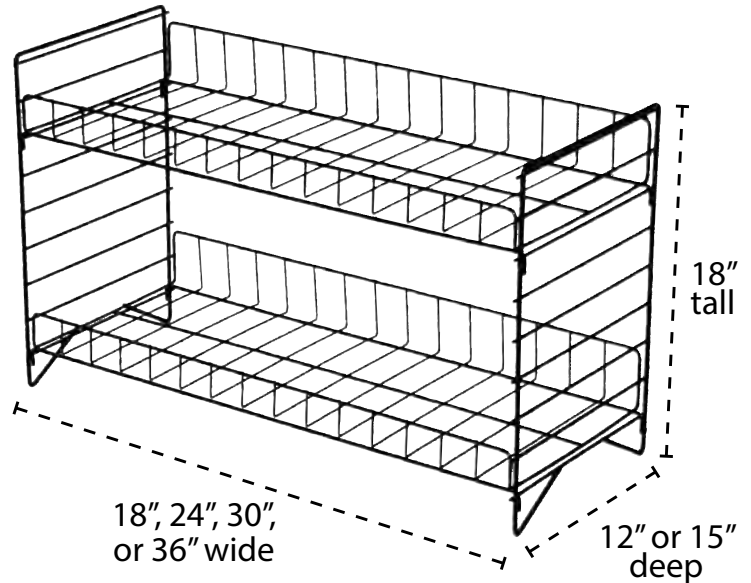
Depth is available in 2 sizes

12" or 15" deep

Get your product into almost any location, with 8 different size combinations!

Ideal for:

- Snack Food
- Cookies and Muffins
- Meat snacks
- Gift items



- Shelves are adjustable every 2"
- Extra Shelves are available
- Custom sizes are available



- Shelves can be sloped for gravity feed

